

**ZERO
EMISSION**

25X



Concrete solutions. Always.

Electric miniexcavator

Engine power 23,0 kW

Transport weight 2.190 - 2.290 kg

 **EUROCOMACH®**

25X

Transport weight with canopy (without bucket and operator)	kg	2.190
Transport weight with cabin (without bucket and operator)	Kg	2.290
Travelling speed	km/h	1a: 0 ÷ 2,6 / 2a: 0 ÷ 4,0
Slew speed	rpm	10,5

ELECTRICAL SPECIFICATIONS

Engine

Type	Internal Permanent Magnets (IPM)	
Max. Power (3.000 rpm)	kW	23
Supply	three-phase alternating current	
Operating modes:	max. rpm	2.400 (ECO) 2.600 (STD) 2.800 (PWR)

Supply

Battery chemistry	lithium-ion	
Gross capacity	kWh	32,2
Nominal voltage of the system	V	102
Autonomy according to the operating mode	h	4 ÷ 8

Charging times

On-board charger (220V)	h	9
External three-phase rapid charge 380V (Optional)	h	1,5 (80%) 2 (100%)

HYDRAULIC SYSTEM

Hydraulic system capacity	lt	25
Pump type	LS variable pump	
Pump displacement	cc	18
Pump flow rate	lt/min	52
Max. circuit calibration pressure	bar	210
Auxiliary system (max. pressure): AUX 1 single or double effect with priority	lt/min (bar)	50 (220)

PERFORMANCES

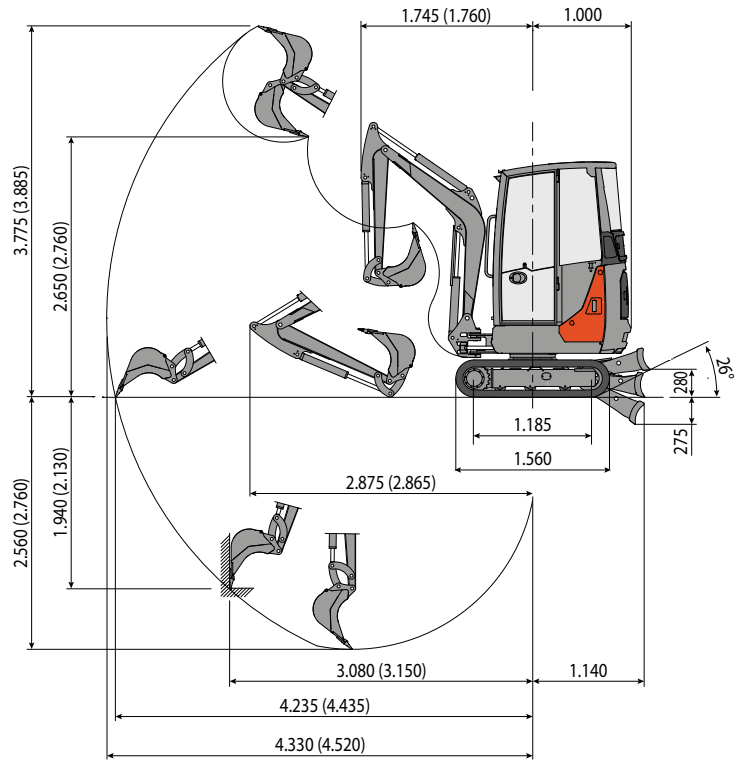
Max. digging depth with standard arm (optional arm)	mm	2.560 (2.760)
Max. dumping height with standard arm (optional arm)	mm	2.650 (2.760)
Bucket breaking force (standard arm) ISO 6015	daN	1.600
Arm breaking force (standard arm) ISO 6015	daN	1.000
Traction force	daN	1.900
Specific ground pressure	kg/cm ²	0,35
Max. slope	60% - 30°	

DIMENSIONS

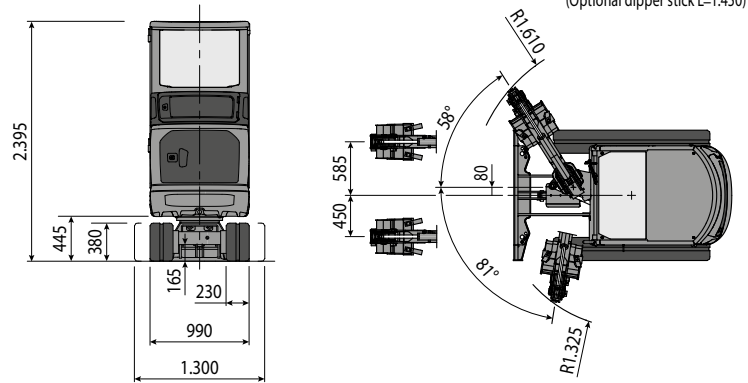
Maximum width	mm	990 - 1.300
Total height	mm	2.395
Rear rotation radius	mm	1.000
Digging arm length std (optional)	mm	1.250 (1.450)
Tracks width	mm	230
Rollers number (for each side)	n°	3

CONTROLS

Boom, dipper stick, bucket and turret swing	2 electro-proportional joysticks
Track movements (included counter rotation)	2 electro-proportional levers
Dozer blade	electro-proportional lever
Priority auxiliary system with holding function AUX 1 (single or double effect)	electroproportional switch on right joystick
Boom swing	electroproportional switch on left joystick



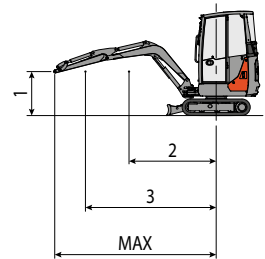
Standard dipper stick L=1.250
(Optional dipper stick L=1.450)



LIFTING CAPACITY

Opening arm from the rotation's center (m)
Lifting capacity (kg) at 1.0 m height

	2	3	MAX
Frontal and lowered dozer blade	700	430	400
Frontal and lifted dozer blade	700	360	270
Lateral, open undercarriage	700	350	260



The lifting capacity is based on the ISO 10567 and it does not exceed more than the 75% of static tipping load or more than the 87% of the hydraulic lifting capacity of the machine.

EUROCOMACH®